

# VEMA range



ISO 9001:2000 - Cert. n. 1368/1

**ventilclima**®  
Apparecchi per la Climatizzazione

WALL WATER FAN-COILS

# WALL WATER FAN-COILS



● The Vema water fan coils are used for cooling and heating applications, for small and large rooms.



The VEMA water fan coils are equipped with ionization systems: a flashover inside the unit is transmitted to carbon fibres which produce negative ions (only for model 1 and 2). This device purifies the air neutralizing the microbes.

- **TANGENTIAL FANS** selected for high air volumes at low speeds to guarantee a low noise level.
- **WATER COIL** made of copper tubes mechanically expanded into aluminium fins. The headers are equipped with female fittings (GAS threads) and easily accessible air vents.
- **CABINET** modern and elegant design made to avoid corrosion, blends easily with any sort of environment.

## Working limits:

Maximum water temperature 80°C.

Maximum working pressure 10 Bar.

# serie VEMA

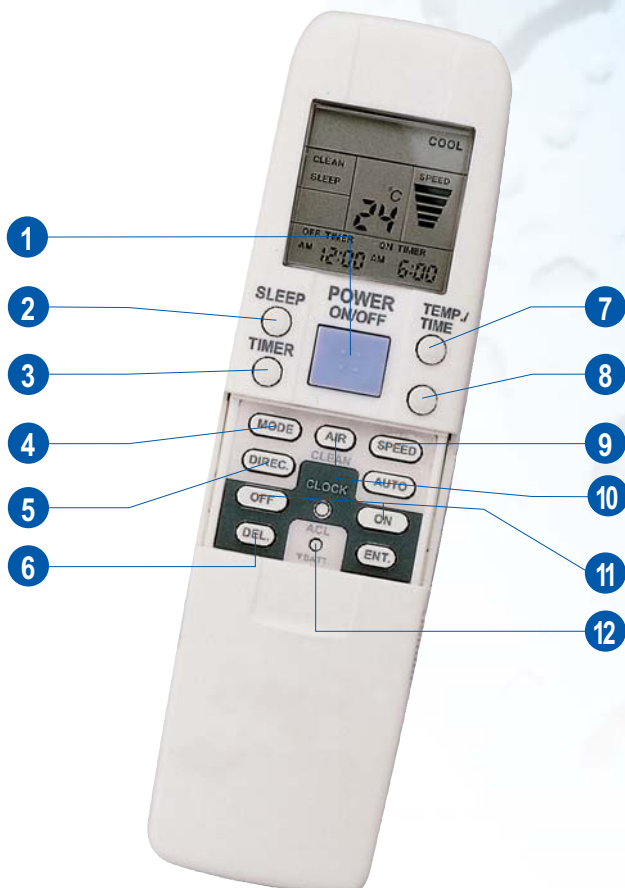
The Airflow Deflector opens and closes automatically when the unit is turned on or switched off. The very low noise airflow can be adjusted manually to the right or left. The high/low adjustment of the airflow in 5 different positions is made by an infrared remote control.

## A BETTER AIR FLOW

- In cooling mode, the supply air deflector swings up thus avoiding the airflow being directed to the lower part of the room.
- In heating mode the supply air deflector swings down to distribute the hot air uniformly in the lower parts of the room.

## STANDARD ACCESSORIES

- Air filter
- Ionizator (only for models VEMA1 and VEMA2)
- Swing motorized supply air deflector
- Infrared remote control with display
- Function automatic or manual
- Fan speed automatic or manual
- Minimum low water temperature sensor
- Wall hook brackets



## INFRARED REMOTE CONTROL

Each VEMA water fan coil is equipped with an infrared remote control with liquid crystal display that shows all functions:

- 1 ON/OFF
- 2 Night function
- 3 Timer for starting and switching-off the operations from 1 to 9 hours
- 4 4 Function modes: Automatic; Cooling; Dry; Ventilation; Heating
- 5 Air flow direction (5 position + 1 automatic)
- 6 Clock setting
- 7 Temperature programming up
- 8 Temperature programming down
- 9 Fan speed: Automatic; Low; Medium; High
- 10 Ionization function ON/OFF (only for models 1 and 2)
- 11 Timer starting/switching-off programmable in 24 hours
- 12 Reset

# TECHNICAL DATA

MODEL	01	02	03
-------	----	----	----

## 2 pipe system

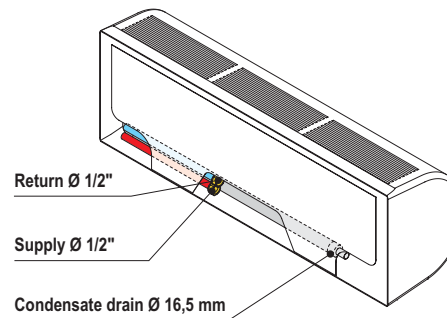
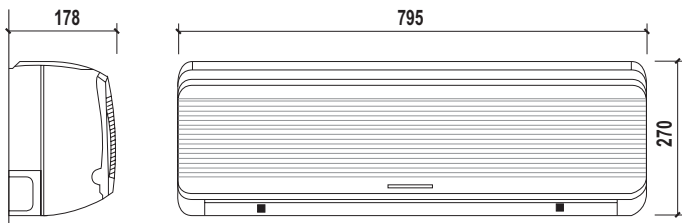
COOLING Inlet water temperature: 7 °C Outlet water temperature: 12 °C Inlet air temperature: 27 °C d.b. - 19 °C w.b.b.	Total cooling capacity	W max	2.040	2.460	4.420
		W med	1.730	2.000	4.200
		W min	1.450	1.870	3.710
		Sensible cooling capacity	W max	1.700	2.050
W med	1.450		1.700	3.320	
W min	1.200		1.550	2.890	
Water flow	l/h max	351	423	760	
	Water pressure loss	kPa max	18	20	68,1
HEATING Air temperature: 20 °C Inlet water temperature: 50 °C		Heating capacity	W max	2.590	3.320
	W med		2.220	2.420	5.240
	W min		1.810	1.210	4.510
Water flow	l/h max	351	423	760	
	Water pressure loss	kPa max	16,7	17	59,8
HEATING Air temperature: 20 °C Inlet water temperature: 70/60 °C		Heating capacity	W max	4.500	5.606
	W med		3.924	5.249	8.792
	W min		3.234	4.817	7.654
Water flow	l/h max	387	482	810	
	Water pressure loss	kPa max	16	18	62,6
FURTHER DATA		Air flow	m <sup>3</sup> /h max	440	433
	m <sup>3</sup> /h med		334	385	748
	m <sup>3</sup> /h min		268	355	585
	Sound power level	dB(A) max	56	54	61
		dB(A) med	54	50	57
		dB(A) min	49	46	50
	Sound pressure level	dB(A) max	45,4	45,4	52,4
		dB(A) med	43,4	41,4	48,4
		dB(A) min	40,4	37,4	41,4
	Power input	W max	30	30	60
Absorbet current	A max	0,13	0,13	0,26	
Water content	L -	0,58	0,64	1,6	
Net weight	kg -	9	9	21	

DP VEMA 1106-0 VEN GB

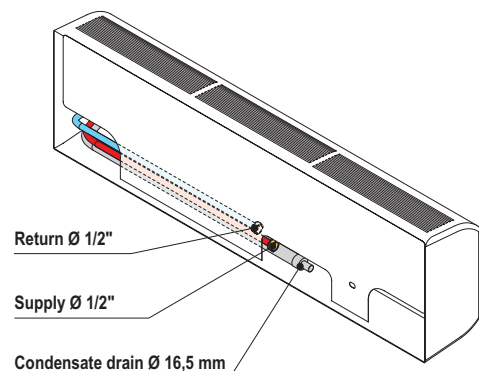
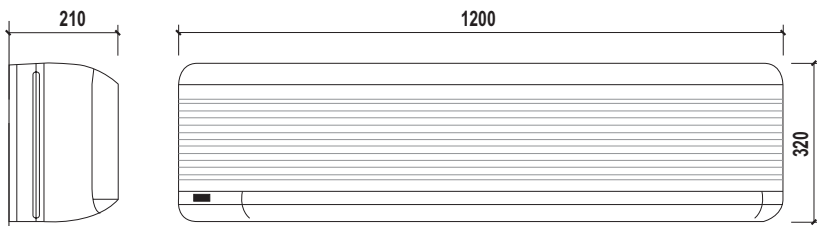
- Standard unit with free outlet (external static pressure= 0 Pa); **Sound power level:** ISO 23741.; **Sound pressure level:** The sound pressure level is 8,6 dB(A) lower than the sound power level

## GENERAL DIMENSIONS

### VEMA1 - VEMA2



### VEMA3



Ventilclima S.p.A. reserves the right to modify the technical and dimensional data at any time and without any notice.